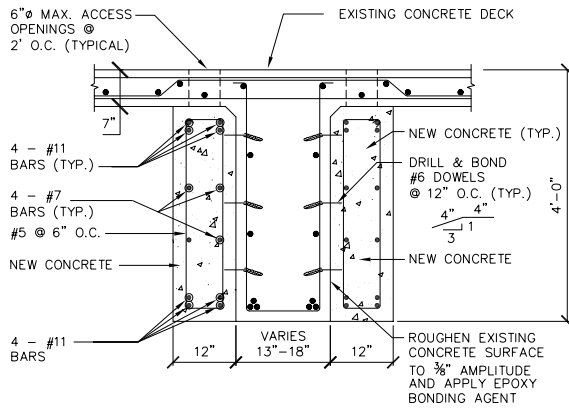
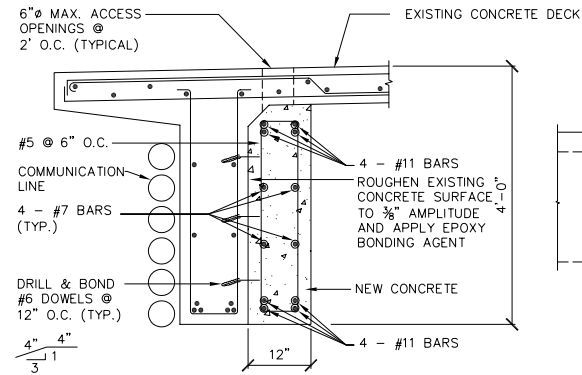


TYPICAL SECTION
Scale: 1/2" = 1'-0"

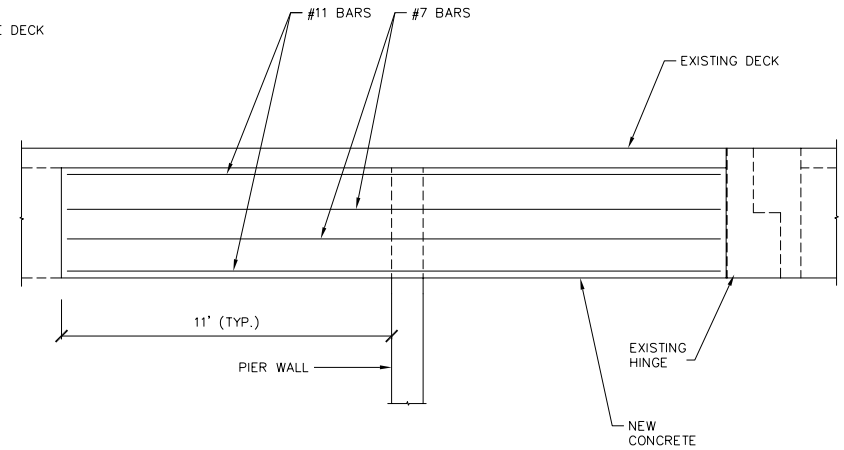
- NOTE:**
1. SEE AS-BUILT PLANS FOR DIMENSIONS.
 2. EXISTING REBARS NOT SHOWN.
 3. NOT ALL EXISTING COMMUNICATION AND UTILITY LINES ARE SHOWN
 4. THE CONTRACTOR SHALL VERIFY ALL CONTROLLING FIELD DIMENSIONS BEFORE ORDERING OR FABRICATING ANY MATERIALS.



DETAIL A
Scale: 1" = 1'-0"
S3



DETAIL B
Scale: 1" = 1'-0"
S3



DETAIL C
Scale: 1/2" = 1'-0"
S3

NOTE: SEE AS-BUILT PLANS FOR DIMENSIONS.