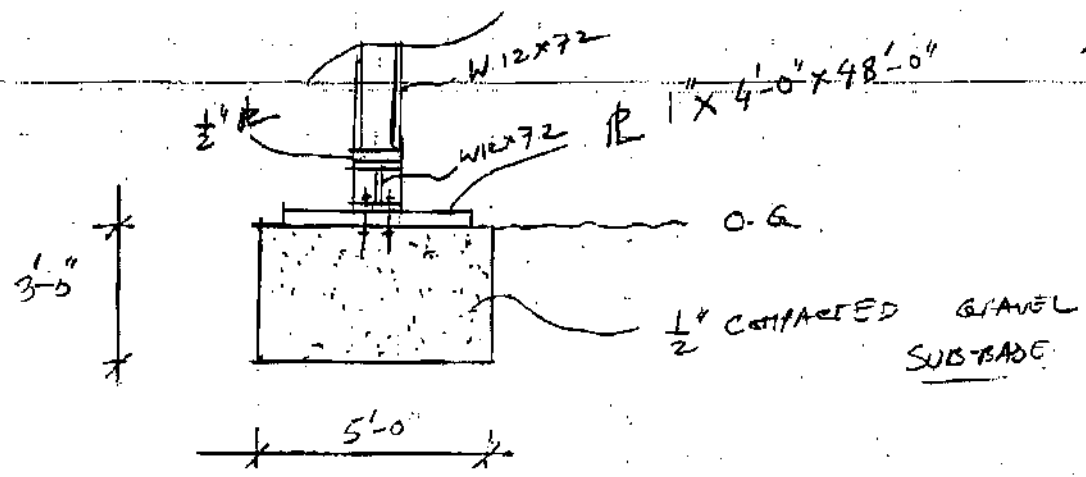


TOP OF FRAME (ATTACHMENT TO CONCRETE GIRDER)



FOUNDATION CROSS-SECTION