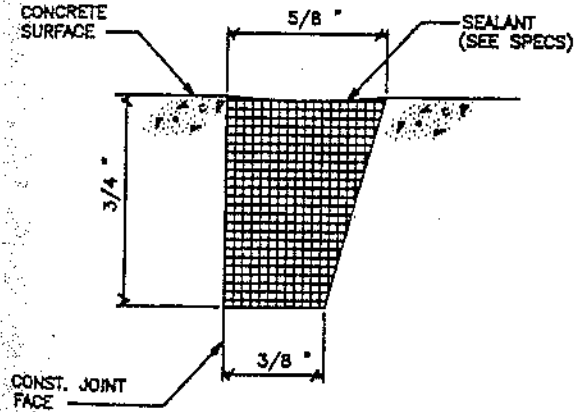


STANDARD
DETAILS

ALL FLOOR AND WALL JOINTS OF HYDRAULIC STRUCTURES (WATER CONTAINING) SHALL HAVE A SEALANT GROOVE ON WATER SIDE OF WALL, FLOOR OR ROOF.



SEALANT GROOVE

DETAIL 3

Put on corner of sheet

NOTE :

THE DETAILS ON THIS SHEET ARE "TYPICAL" DETAILS WHICH ARE TO BE USED BY THE CONTRACTOR WHERE THESE VARIOUS GENERAL CONDITIONS EXIST. THESE DETAILS ARE NOT NECESSARILY REFERENCED ANYWHERE ELSE IN THIS SET OF CONSTRUCTION DOCUMENTS. PRIOR TO STARTING WORK, THE CONTRACTOR IS TO CONFIRM WITH THE ENGINEER THAT THESE DETAILS ARE PROPERLY INTERPRETED AND APPLIED TO THE APPROPRIATE CONDITIONS.