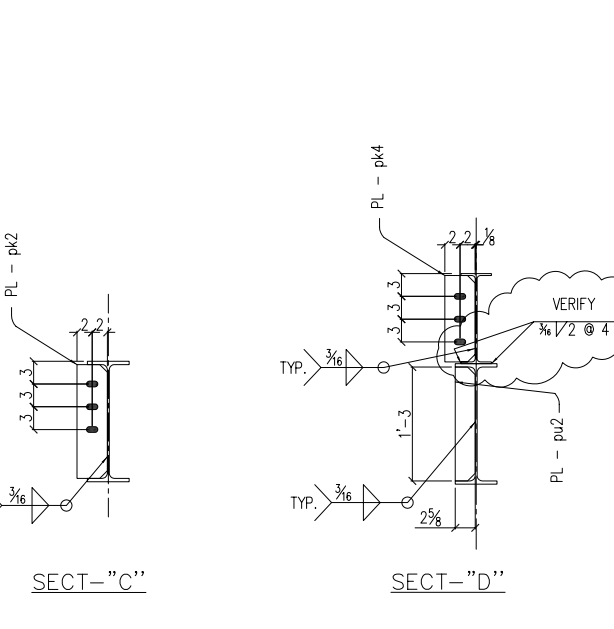
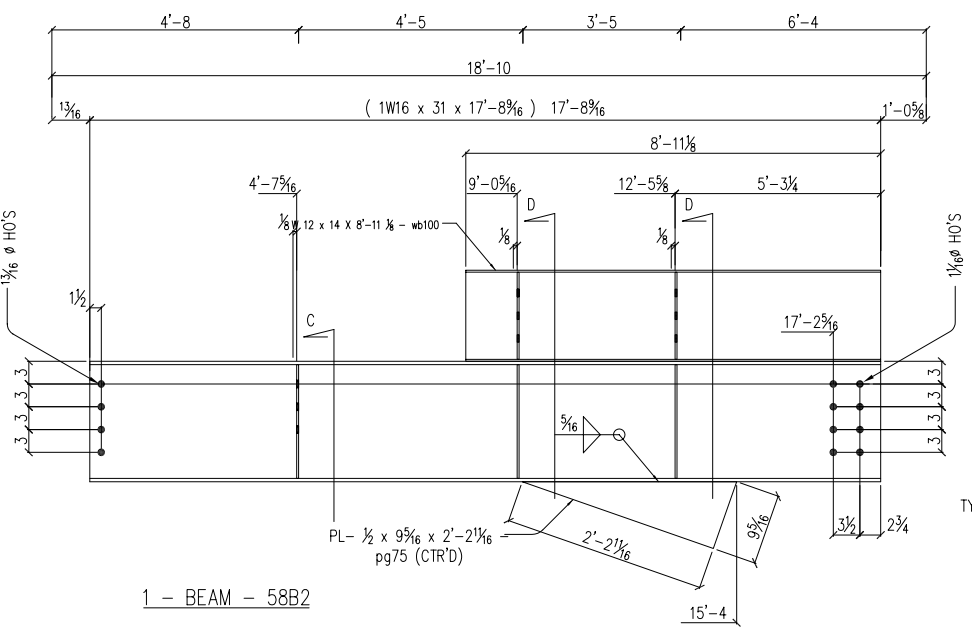
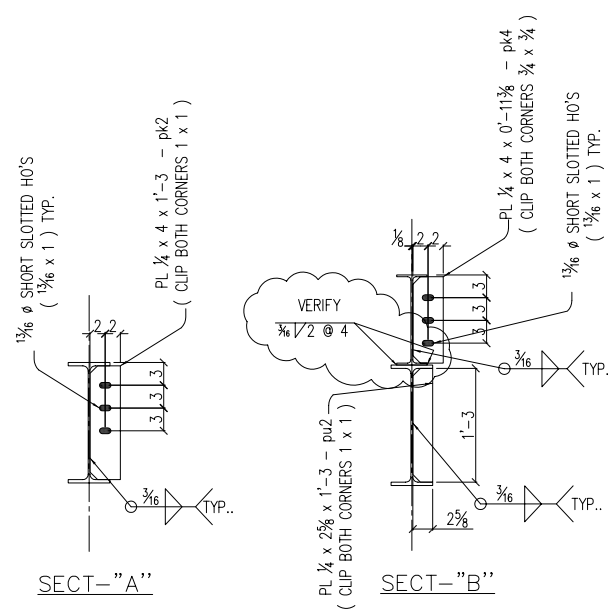
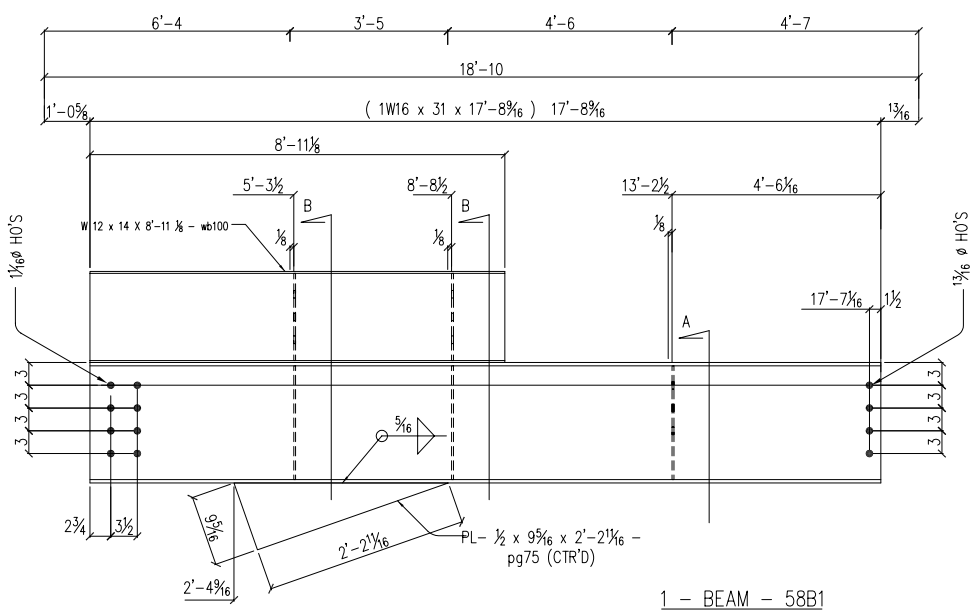


SHOP BILL

QTY.	SECTION DESCRIPTION	LENGTH		MARK	REMARKS
		FEET	INCHES		
ONE	BEAM				58B1
1	W 16 x 31	17	8 ⁹ / ₁₆		
1	W 12 x 14	8	11 ¹ / ₂	wb100	
2	PL ¹ / ₄ x 4	0	11 ³ / ₈	pk4	
1	PL ¹ / ₄ x 4	1	3	pk2	
2	PL ¹ / ₄ x 2 ⁵ / ₈	1	3	pu2	
1	PL ¹ / ₂ x 9 ⁵ / ₁₆	2	2 ¹ / ₁₆	pg75	*1
ONE	BEAM				58B2
1	W 16 x 31	17	8 ⁹ / ₁₆		
1	W 12 x 14	8	11 ¹ / ₂	wb100	
2	PL ¹ / ₄ x 4	0	11 ³ / ₈	pk4	
1	PL ¹ / ₄ x 4	1	3	pk2	
2	PL ¹ / ₄ x 2 ⁵ / ₈	1	3	pu2	
1	PL ¹ / ₂ x 9 ⁵ / ₁₆	2	2 ¹ / ₁₆	pg75	*1

NOTE: -
*1. A572 GRADE 50 STEEL



REV	DATE	DESCRIPTION

SHOP NOTE: COPE RE-ENTRANT CORNERS TO MIN. 1/2" R.

SHOP CORR. U.N.O.

SHOP PAINT:

SHOP CLEAN:

OPEN HLS: AS NOTED

DRAWN / DATE: NHS / 08/12

CK'D / DATE: AYU / 08/12

DWG NO: 58

JOB: CAPITAL COMMERCE CENTER
 LOCATION: EAST 3rd & COMMERCE LITTLE ROCK, ARKANSAS
 DWG TITLE:
 ARCH./ENG: AMR ARCHITECTS INC.
 CONTRACTOR: EAST HARDING
 JOB NO. 01-158