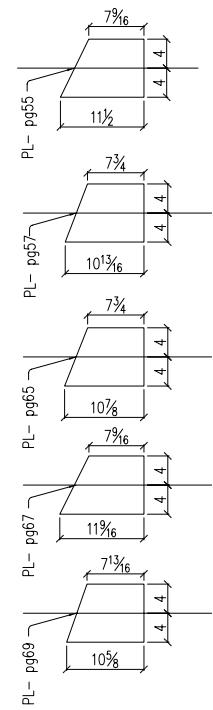
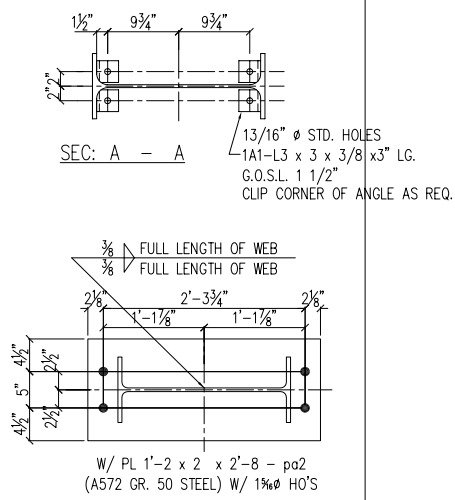


NOTE:-
 *1. A572 GRADE 50 STEEL
 *2. ROLLED OR FLAME CUT EDGE



SHOP BILL					
QTY.	SECTION DESCRIPTION	LENGTH		MARK	REMARKS
		FEET	INCHES		
ONE	COLUMN			2C14	
1	W 24 x 68	49	10		
4	L3 x 3 x 3/8		3	1A1	
1	PL 2 x 1'-2	2	8	pa2	*1
3	PL 3/8 x 4	0	9	pc2	
3	PL 3/8 x 10	1	0	ph2	*1, *2
3	PL 3/8 x 10	1	3	pe2	*1, *2
2	PL 1/2 x 8	0	11 1/2	pg55	*1
1	PL 1/2 x 8	0	10 1/8	pg57	*1
1	PL 1/2 x 8	0	10 7/8	pg65	*1
1	PL 1/2 x 8	0	11 1/8	pg67	*1
1	PL 1/2 x 8	0	10 3/8	pg69	*1



1 - COLUMN - 3C14 (AS SHOWN)
 GRID (D - 2)
 (54 - 1 Ø x 2 1/4)
 (9 - 3/4 Ø x 2)
 (4 - 3/4 Ø x 2)

REV	DATE	DESCRIPTION
A	08/06/01	ADDED CLIP L AT PLUCE

SHOP NOTE: COPE RE-ENTRANT CORNERS TO MIN. 1/2" R.

SHOP U.N.O. 5/16

SHOP PAINT: _____

SHOP CLEAN: _____

OPEN HLS: AS NOTED

DRAWN / DATE: NHS / 08/02

CK'D / DATE: AVU / 08/10

DWG NO: 3

JOB: CAPITAL COMMERCE CENTER
 LOCATION: EAST 3rd & COMMERCE LITTLE ROCK, ARKANSAS
 ARCH./ENG.: AMR ARCHITECTS INC.
 CONTRACTOR: EAST HARDING
 JOB NO. 01-158