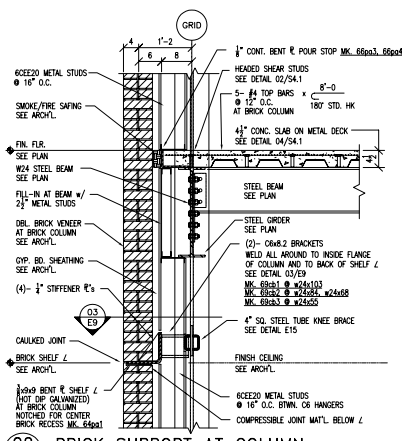
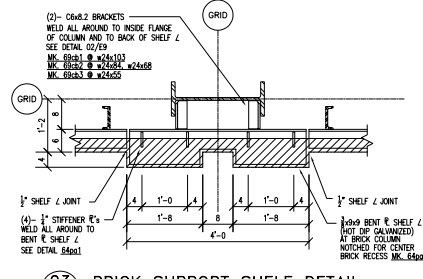


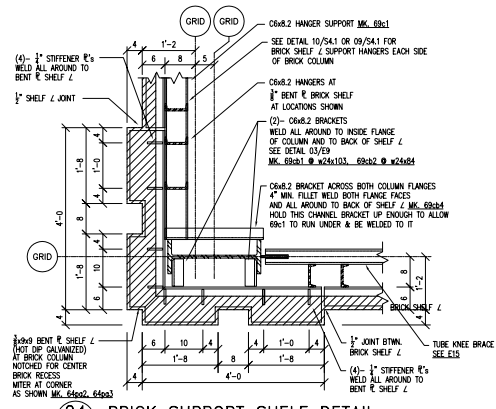
01 BRICK SUPPORT SHELF DETAIL
E9 SCALE : 3/4"=1'-0" (REF: 01/S1.4)



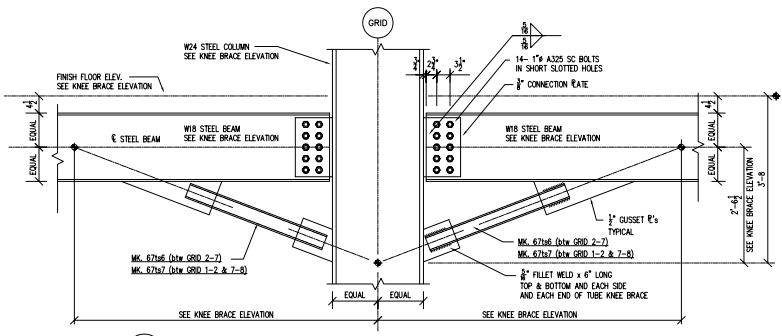
02 BRICK SUPPORT AT COLUMN
E9 SCALE : 3/4"=1'-0" (REF: 03/S1.4)



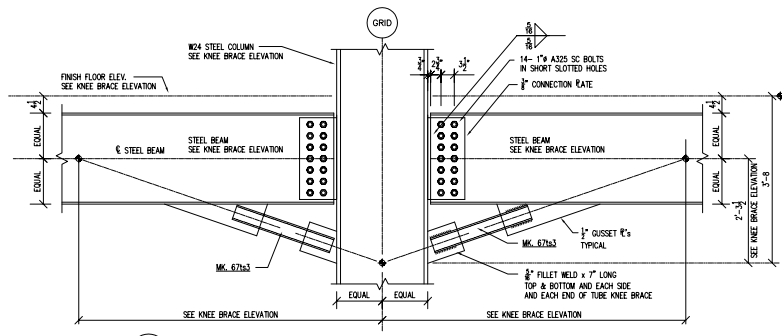
03 BRICK SUPPORT SHELF DETAIL
E9 SCALE : 3/4"=1'-0" (REF: 04/S1.4)



04 BRICK SUPPORT SHELF DETAIL
E9 SCALE : 3/4"=1'-0" (REF: 05/S1.4)



05 TUBE KNEE BRACE 2nd LEVEL ALONG GRIDS A & D
E9 SCALE : 3/4"=1'-0" (REF: 02/S1.9)



06 TUBE KNEE BRACE 2nd LEVEL ALONG GRIDS 1 & 8
E9 SCALE : 3/4"=1'-0" (REF: 03/S1.9)

REVISIONS:	JOB: CAPITAL COMMERCE CENTER	
	LOCATION: EAST 3rd & COMMERCE LITTLE ROCK, ARKANSAS	
	DWG TITLE:	
	ARCH./ENG: AMR ARCHITECTS INC.	
	CONTRACTOR: EAST HARDING	
JOB NO. 01-158		
DRAWN / DATE	CK'D / DATE	DWG NO:
NHS / 08/23	AYU / 08/23	E9