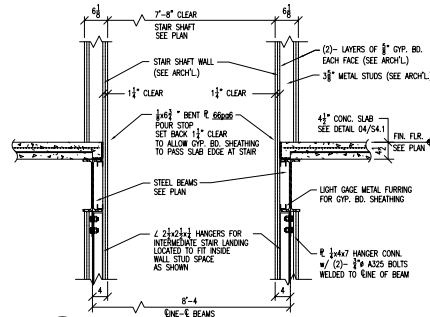
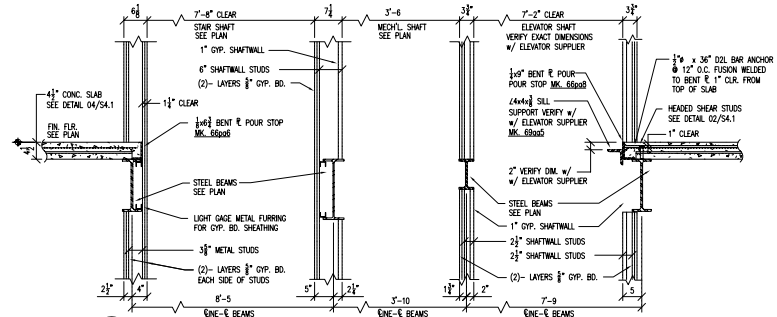


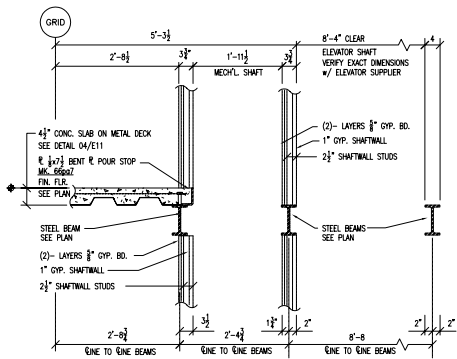
01 SECTION AT STAIR & MECH'L. CHASE
SCALE: 3/4"=1'-0" (REF: 01/S4.2)



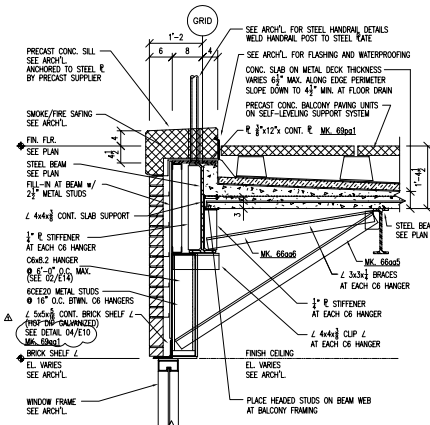
02 SECTION AT STAIR SHAFT
SCALE: 3/4"=1'-0" (REF: 02/S4.2)



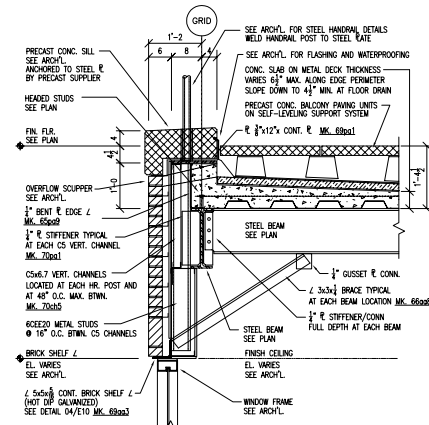
03 SECTION THRU STAIR AND MECH'L. AND ELEVATOR SHAFT
SCALE: 3/4"=1'-0" (REF: 03/S4.2)



04 SECTION AT ELEVATOR & MECH'L. CHASE
SCALE: 3/4"=1'-0" (REF: 04/S4.2)



05 DETAIL AT 4th FLOOR BALCONY
SCALE: 3/4"=1'-0" (REF: 05/S4.2)



06 DETAIL AT 4th FLOOR BALCONY
SCALE: 3/4"=1'-0" (REF: 07/S4.2)

REVISIONS: A 08/20/21	JOB: CAPITAL COMMERCE CENTER
	LOCATION: EAST 3rd & COMMERCE LITTLE ROCK, ARKANSAS
	DWG TITLE:
	ARCH./ENG: AMR ARCHITECTS INC.
CONTRACTOR: EAST HARDING	
JOB NO. 01-158	
DRAWN / DATE: NHS / 08/23	CK'D / DATE: AYU / 08/23
	DWG NO: E11