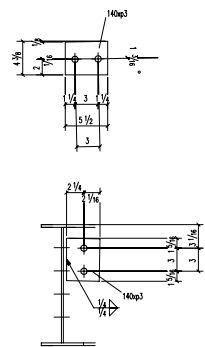
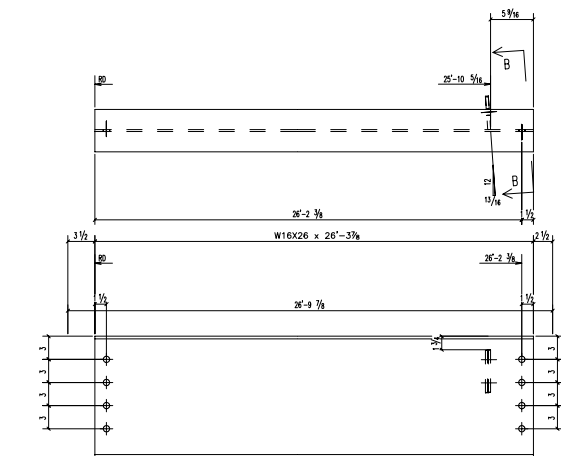
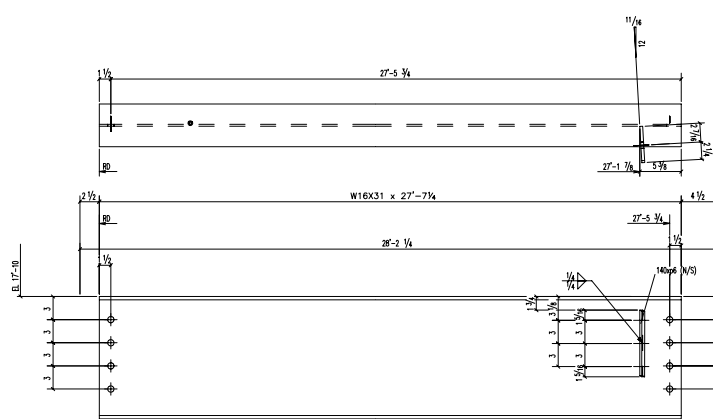
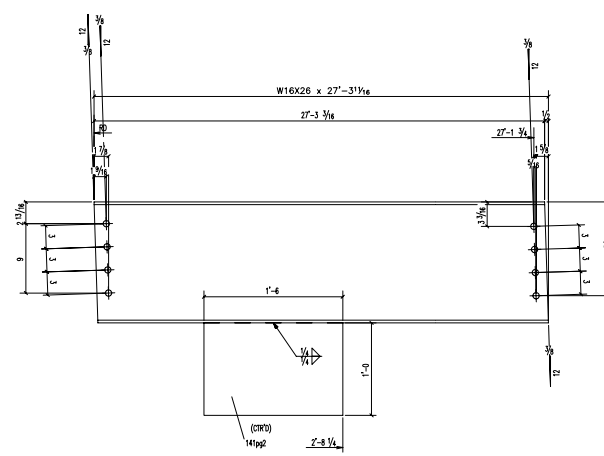


1 - BEAM - 140B1
 W 15" x 1 1/2" x 3/8"
 F 15 1/2" x 3/8"

1 - BEAM - 140B3
 W 15" x 1 1/2" x 3/8"
 F 15 1/2" x 3/8"



1 - BEAM - 140B2
 W 15" x 1 1/2" x 3/8"
 F 15 1/2" x 3/8"



2 - BEAMS - 140B4
 W 15" x 1 1/2" x 3/8"
 F 15 1/2" x 3/8"

SHOP BILL				
TOTAL QTY	DESCRIPTION	LENGTH	PIECE MARK	REMARKS
1	BEAM			140B1
1	W16X26	22'-3"	140B1	
1	PL3/8X4 7/16	0'-5 1/2"	140p5	
1	FL3/8X4 3/4	0'-8 1/2"	140p6	
1	BEAM			140B2
1	W16X26	26'-3 7/8"	140B2	
1	PL3/8X4 3/8	0'-5 1/2"	140p3	
1	BEAM			140B3
1	W16X31	27'-7 1/4"	140B3	
1	PL3/8X4 11/16	0'-8 1/2"	140p6	
2	BEAM			140B4
2	W16X26	27'-3 11/16"	140B4	
2	FL5/8X12	1'-6"	141p2	

REV	DATE	REMARKS

REF: _____
 MATERIAL: A36 U/N
 HOLES: 13/16 U/N EDGE DIST: 1 1/4 U/N
 WELDS: E70XX BOLTS: 3/4 U/N
 SURF. PREP: SEE SPEC
 PAINT NOTE: _____

STRUCTURE: ADDITION for HALL HIGH SCHOOL
 LOCATION: LITTLE ROCK, ARKANSAS
 DWG. TITLE: _____
 ARCH/ENG: WITTENBERG, DELONY & DAVIDSON, INC.
 CONTRACTOR: _____
 DRAWN BY: WND CHECKED BY: AVI JOB NO: _____ DWG NUMBER: 140
 DATE: 04/22/2002 DATE: 04/22/2002 PAGE: 1 OF 4