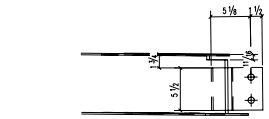
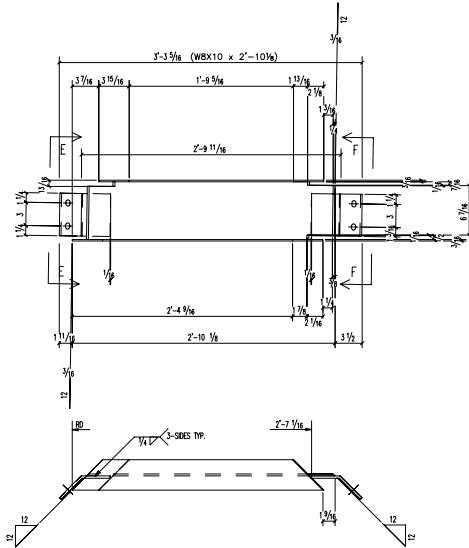
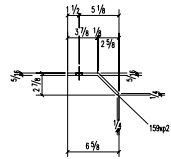
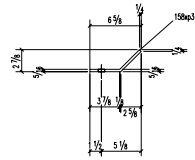
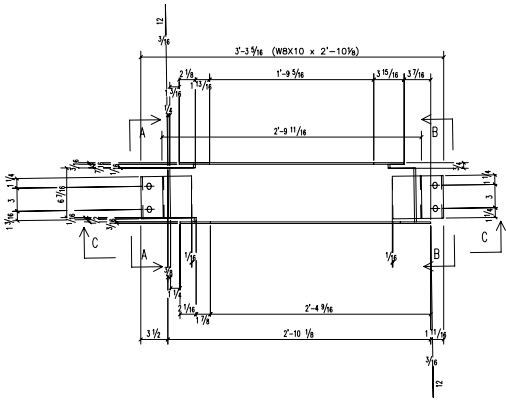
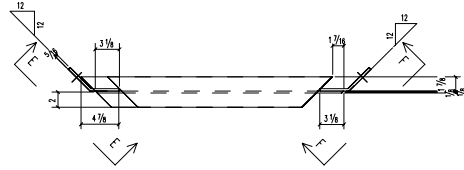
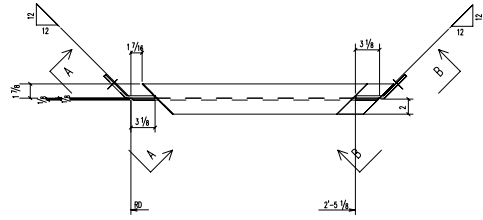
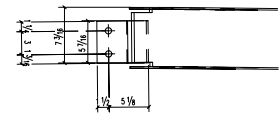


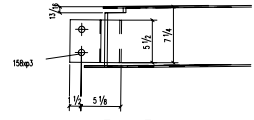
SHOP BILL					
TOTAL QTY	DESCRIPTION	LENGTH	PIECE MARK	MARK	REMARKS
1	BEAM			159B1	
1	WBX10	2'-10 1/8"	159B1		
1	BPL5/16X5 1/2	0'-7 3/4"	158xp3		
1	BPL5/16X5 7/16	0'-7 3/4"	159xp2		
1	BEAM			159B2	
1	WBX10	2'-10 1/8"	159B2		
1	BPL5/16X5 1/2	0'-7 3/4"	158xp3		
1	BPL5/16X5 7/16	0'-7 3/4"	159xp2		



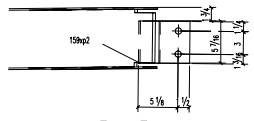
B - B



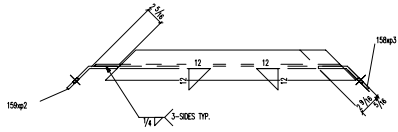
A - A



E - E



F - F



C - C

1 - BEAM - 159B1  
 W 1 1/2" x 1/4"  
 F 1 3/16" x 3/16"

1 - BEAM - 159B2  
 W 1 1/2" x 1/4"  
 F 1 3/16" x 3/16"

AREA 'A'

REV	DATE	REMARKS
REF:		
MATERIAL: A36 U/N		
HOLES: 13/16 U/N EDGE DIST: 1 1/4 U/N		
WELDS: E70XX BOLTS: 3/4 U/N		
SURF. PREP: SEE SPEC		
PAINT NOTE		
STRUCTURE: ADDITION for HALL HIGH SCHOOL		
LOCATION: LITTLE ROCK, ARKANSAS		
DWG. TITLE		
ARCH/ENG: WITTENBERG, DELONY & DAVIDSON, INC.		
CONTRACTOR		
DRAWN BY: MKD	CHECKED BY: AVL	DATE: 04/23/2002
DATE: 04/23/2002	DATE: 04/23/2002	DATE: 04/23/2002
		159