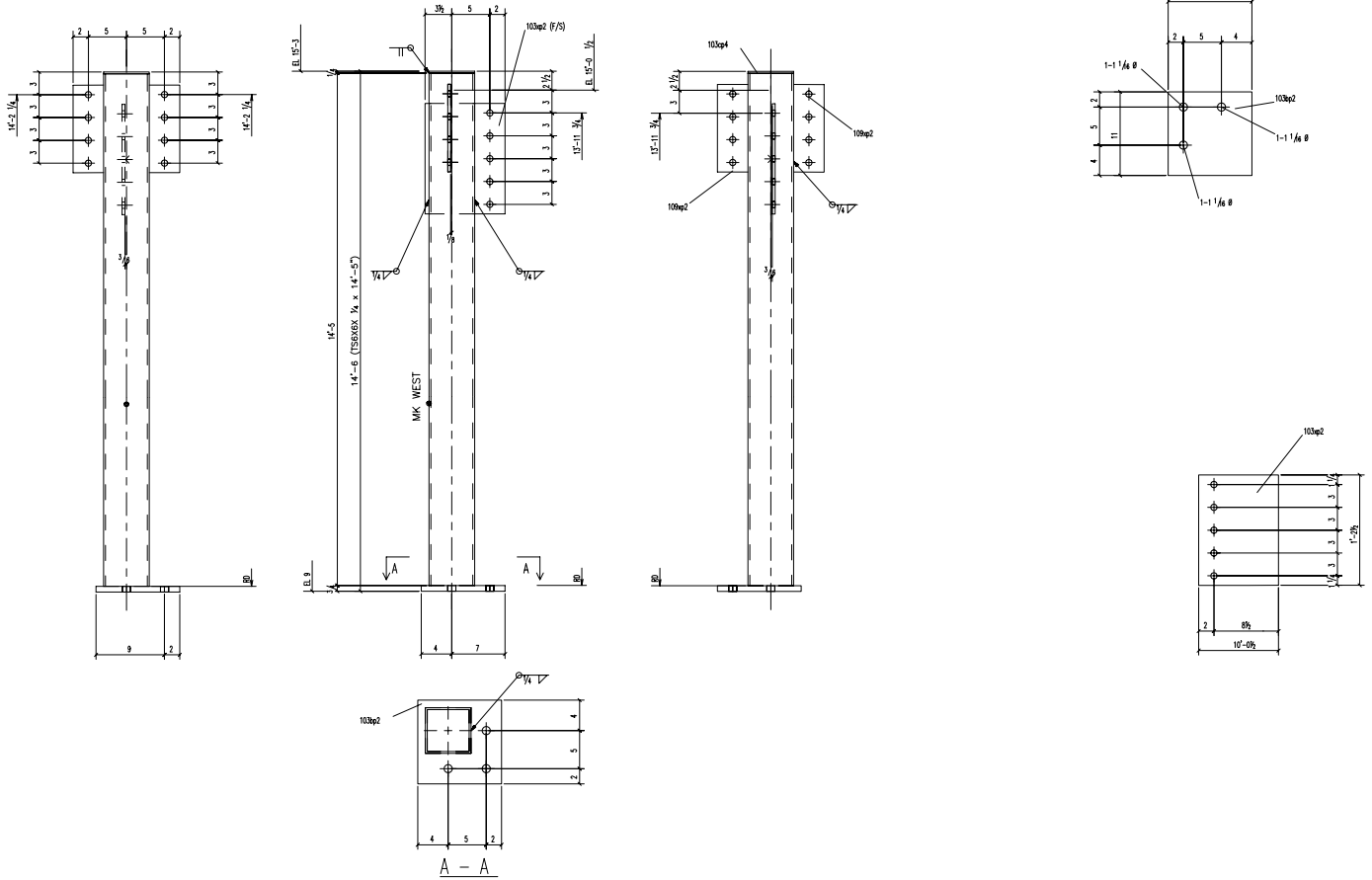


SHOP BILL				
TOTAL QTY	DESCRIPTION	LENGTH	PIECE MARK	REMARKS
1	COLUMN			
1	TS6X8X1/4	14'-5"	103C1	
1	FL3/8X10 1/2	1'-2 1/2"	103sp2	
1	FL3/4X11	0'-11"	103sp2	
1	FL1/4X6	0'-6"	103sp4	
2	PL3/8X4	0'-11 1/2"	109sp2	



1 - COLUMN - 103C1

GRID LOCATION	
103C1	1 5/8

AREA 'A'

REV	DATE	REMARKS
REF:		
MATERIAL:	A36 U/N	
HOLES:	13/16 U/N	EDGE DIST: 1 3/4 U/N
WELDS:	E70XX	BOLTS: 3/4 U/N
SURF. PREP:	SEE SPEC	
PAIN T NOTE		
STRUCTURE: ADDITION FOR HALL HIGH SCHOOL		
LOCATION: LITTLE ROCK, ARKANSAS		
DWG. TITLE:		
ARCH/ENG: WITTENBERG, DELONY & DAVIDSON, INC.		
CONTRACTOR:		
DRAWN BY:	CHKD BY:	DATE:
MJD	ATL	04/18/2002
SHEET NO.:	TOTAL SHEETS:	DATE:
103	103	04/19/2002