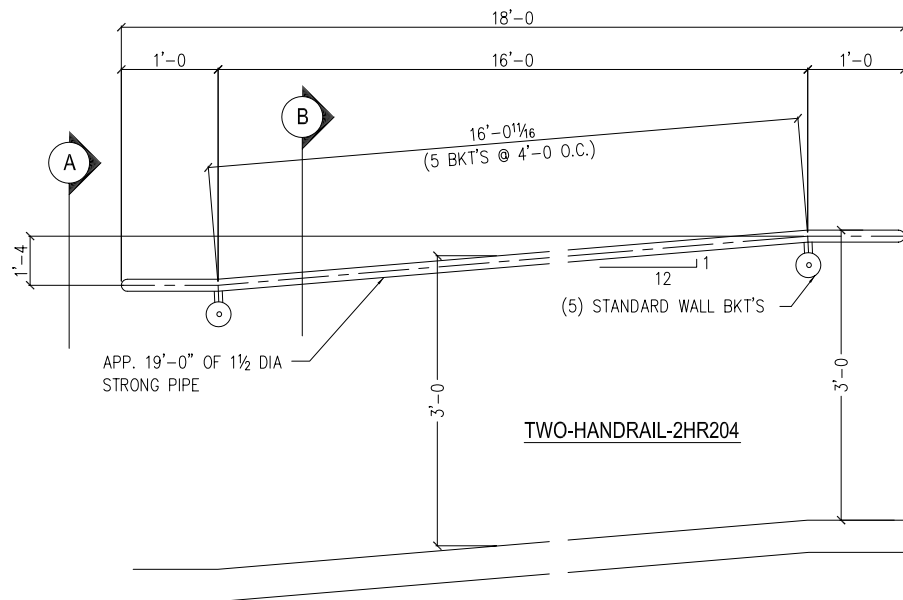
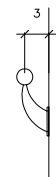


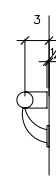
TWO-HANDRAIL-1HR204



TWO-HANDRAIL-2HR204



DETAIL 'B'



DETAIL 'A'

AREA "A"

REV	DATE	REMARKS
REF:		
MATERIAL:	A36 U/N	
HOLES:	13/16 U/N	EDGE DIST: 1" 1/4 U/N
WELDS:	E70XX	BOLTS: 3/4 U/N
SURF. PREP:	SEE SPEC	
PAIN'T NOTE:		
STRUCTURE:	ADDITION for HALL HIGH SCHOOL	
LOCATION:	LITTLE ROCK, ARKANSAS	
DWG. TITLE:		
ARCH./ENG:	WITTENBERG, DELONY & DAVIDSON, INC.	
CONTRACTOR:		
DESIGN BY: NNS	CHECKED BY: AYU	JOB NO. DWG NO.
DATE: 05/15/2002	DATE: 05/16/2002	SCALE: 1 1/2" = 1'-0" 204