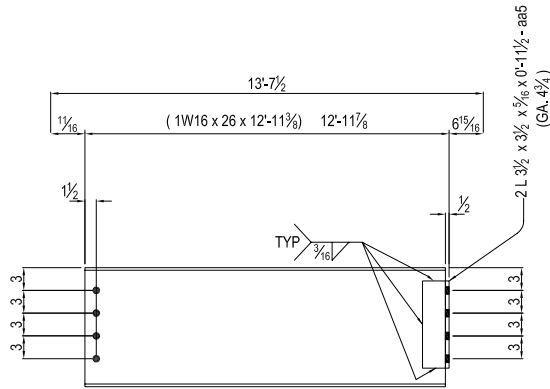
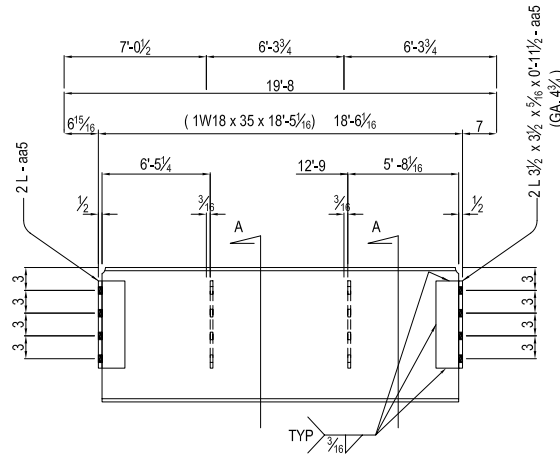


SHOP BILL

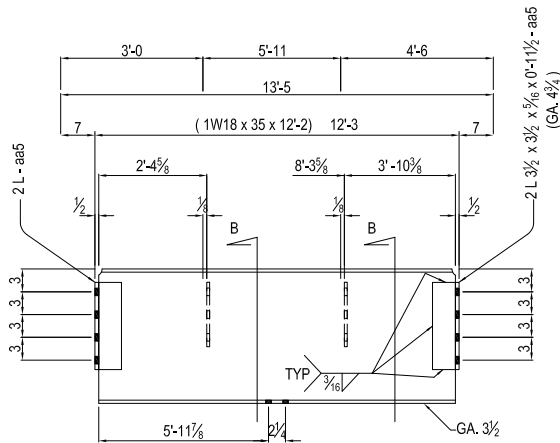
QTY.	SECTION DESCRIPTION	LENGTH		MARK	REMARKS
		FEET	INCHES		
ONE	BEAM			38B1	
1	W 16 x 26	12	11 $\frac{3}{8}$		
2	L 3 $\frac{1}{2}$ x 3 $\frac{1}{2}$ x $\frac{5}{16}$	0	11 $\frac{1}{2}$	aa5	
ONE	BEAM			38B2	
1	W 18 x 35	18	5 $\frac{5}{16}$		
2	PL $\frac{3}{8}$ x 4	0	11 $\frac{1}{2}$	pd2	
4	L 3 $\frac{1}{2}$ x 3 $\frac{1}{2}$ x $\frac{5}{16}$	0	11 $\frac{1}{2}$	aa5	
ONE	BEAM			38B3	
1	W 18 x 35	12	2		
2	PL $\frac{3}{8}$ x 4	0	8 $\frac{1}{2}$	pc2	
4	L 3 $\frac{1}{2}$ x 3 $\frac{1}{2}$ x $\frac{5}{16}$	0	11 $\frac{1}{2}$	aa5	
ONE	BEAM			38B4	
1	W 18 x 35	18	5 $\frac{5}{16}$		
2	PL $\frac{3}{8}$ x 4	0	11 $\frac{1}{2}$	pd2	
4	L 3 $\frac{1}{2}$ x 3 $\frac{1}{2}$ x $\frac{5}{16}$	0	11 $\frac{1}{2}$	aa5	



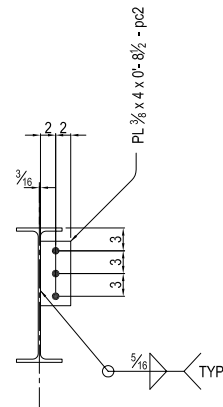
1 - BEAM - 38B1



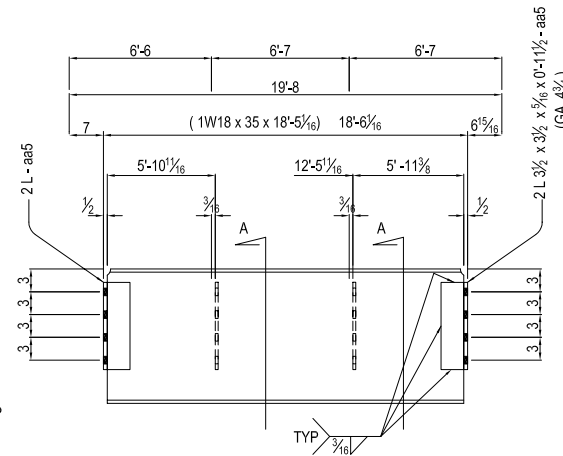
1 - BEAM - 38B2



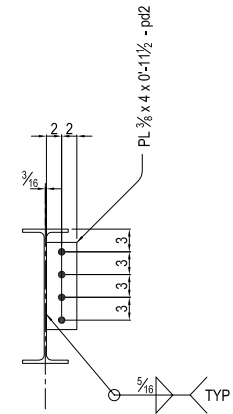
1 - BEAM - 38B3



SECT-"B"



1 - BEAM - 38B4



SECT-"A"

PROJECT: A NEW FACILITY FOR FIRST
COMMUNITY BANCSHARES, INC.
SEARCHY, ARKANSAS
ARCH: ROARK, PARKINS, PERRY, YELVINGTON
CONTRACTOR

PAINT: NONE	SCALE: 1/8" = 1'-0"	DRAWN BY:
EDGE DIST: 1/4 U/N	JOB #	SHT. 38
HOLES: 1/8 U/N		