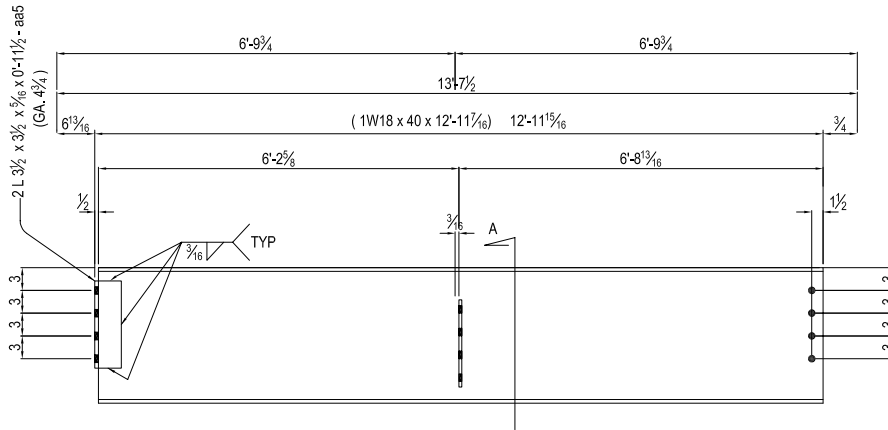
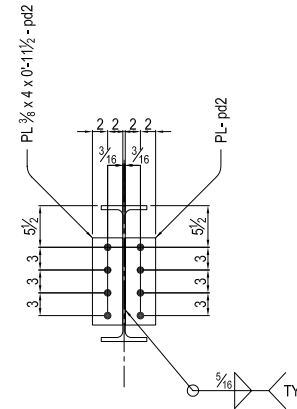


SHOP BILL

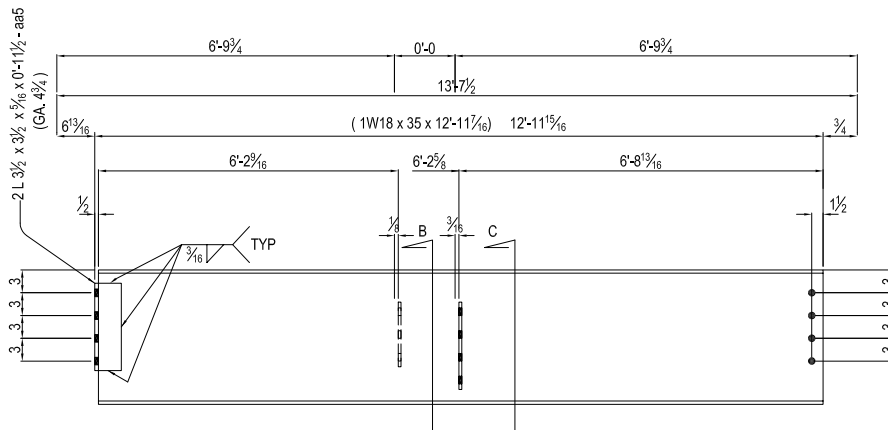
QTY.	SECTION DESCRIPTION	LENGTH		MARK	REMARKS
		FEET	INCHES		
ONE	BEAM			42B1	
1	W 18 x 40	12	11 $\frac{1}{16}$		
2	PL $\frac{3}{8}$ x 4	0	11 $\frac{1}{2}$	pd2	
2	L $3\frac{1}{2}$ x $3\frac{1}{2}$ x $\frac{3}{16}$	0	11 $\frac{1}{2}$	aa5	
ONE	BEAM			42B2	
1	W 18 x 35	12	11 $\frac{1}{16}$		
1	PL $\frac{3}{8}$ x 4	0	8 $\frac{1}{2}$	pc2	
1	PL $\frac{3}{8}$ x 4	0	11 $\frac{1}{2}$	pd2	
2	L $3\frac{1}{2}$ x $3\frac{1}{2}$ x $\frac{3}{16}$	0	11 $\frac{1}{2}$	aa5	



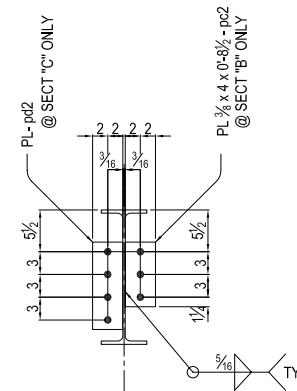
1 - BEAM - 42B1



SECT-"A"



1 - BEAM - 42B2



SECT-"B"
SECT-"C"

PROJECT: A NEW FACILITY FOR FIRST
COMMUNITY BANCSHARES, INC.
SEARCHY, ARKANSAS
ARCH: ROARK, PARKINS, PERRY, YELVINGTON
CONTRACTOR

PAINT: NONE	SCALE: 1 $\frac{1}{2}$ " = 1'-0"	DRAWN BY:
EDGE DIST: 1 $\frac{1}{4}$ " U/N	JOB #	SHT. 42
HOLES: 1 $\frac{3}{16}$ " U/N		