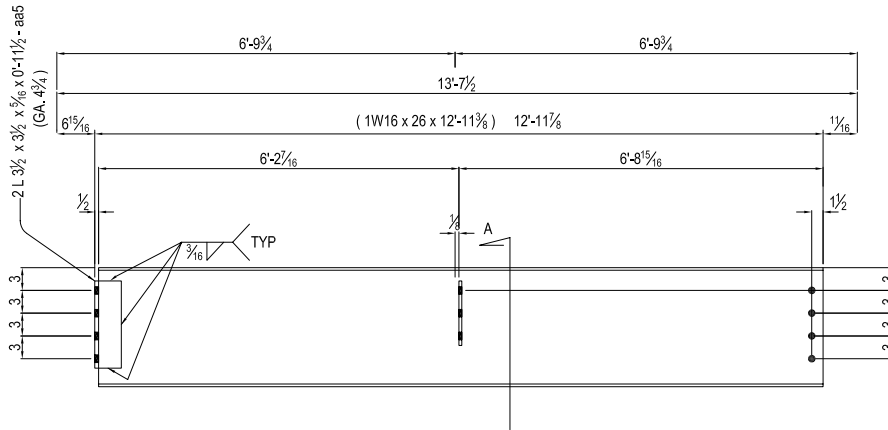
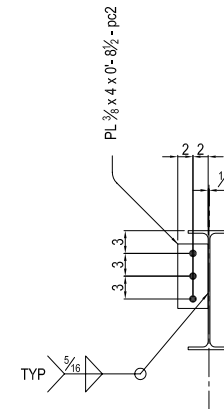


# SHOP BILL

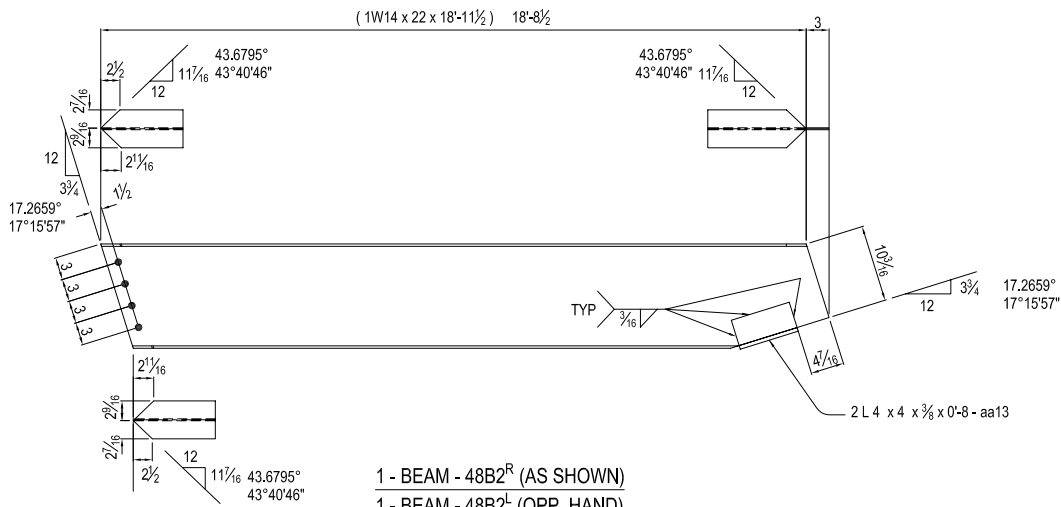
QTY.	SECTION DESCRIPTION	LENGTH		MARK	REMARKS
		FEET	INCHES		
ONE	BEAM			48B1	
1	W 16 x 26	12	11 $\frac{3}{8}$		
1	PL $\frac{3}{8}$ x 4	0	8 $\frac{1}{2}$	pc2	
2	L 3 $\frac{1}{2}$ x 3 $\frac{1}{2}$ x $\frac{3}{16}$	0	11 $\frac{1}{2}$	aa5	
ONE	BEAM			48B2 <sup>R</sup>	
1	W 14 x 22	18	11 $\frac{1}{2}$		
2	L 4 x 4 x $\frac{3}{8}$	0	8	aa13	
ONE	BEAM			48B2 <sup>L</sup>	
1	W 14 x 22	18	11 $\frac{1}{2}$		
2	L 4 x 4 x $\frac{3}{8}$	0	8	aa13	



1 - BEAM - 48B1



SECT-"A"



1 - BEAM - 48B2<sup>R</sup> (AS SHOWN)  
1 - BEAM - 48B2<sup>L</sup> (OPP. HAND)

PROJECT: A NEW FACILITY FOR FIRST  
COMMUNITY BANCSHARES, INC.  
SEARCHY, ARKANSAS  
ARCH: ROARK, PARKINS, FERRY, YELVINGTON  
CONTRACTOR

PAINT: NONE	SCALE: 1/2" = 1'-0"	DRAWN BY:
EDGE DIST: 1 1/4 U/N	JOB #	SHT. 48
HOLES: 1 3/8 U/N		