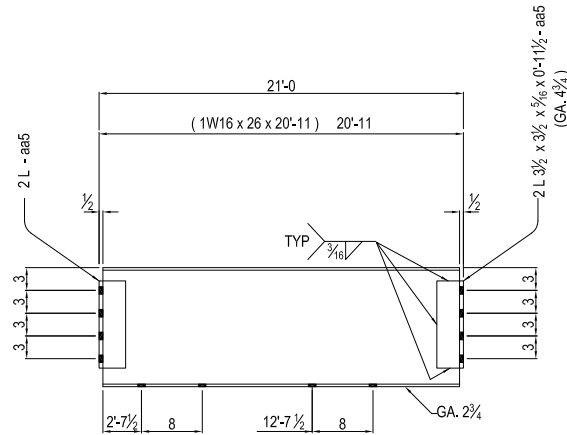
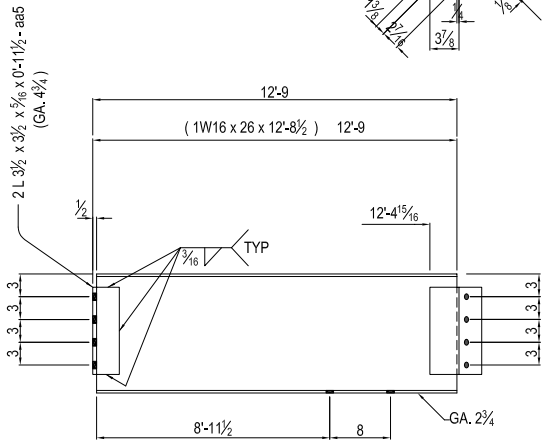
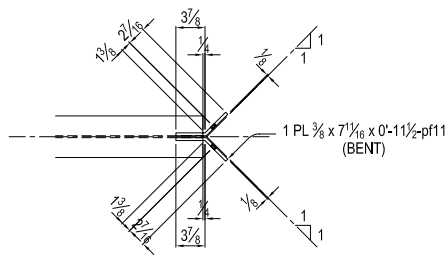


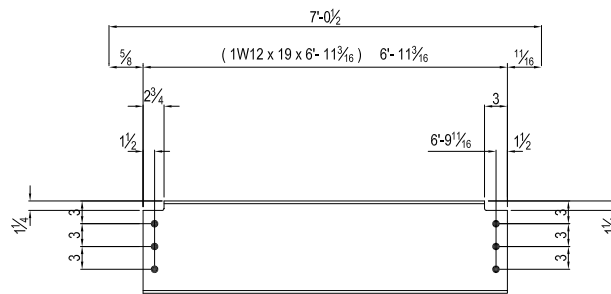
1 - BEAM - 54B1



1 - BEAM - 54B2



1 - BEAM - 54B3



1 - BEAM - 54B4

SHOP BILL

QTY.	SECTION DESCRIPTION	LENGTH		MARK	REMARKS
		FEET	INCHES		
ONE	BEAM			54B1	
1	W 16 x 26	12	11		
2	L 3 1/2 x 3 1/2 x 3/8	0	11 1/2	aa5	
ONE	BEAM			54B2	
1	W 16 x 26	20	11		
4	L 3 1/2 x 3 1/2 x 3/8	0	11 1/2	aa5	
ONE	BEAM			54B3	
1	W 16 x 26	12	8 1/2		
2	L 3 1/2 x 3 1/2 x 3/8	0	11 1/2	aa5	
2	PL 3/8 x 6 5/8	0	11 1/2	pf11	BENT
ONE	BEAM			54B4	
1	W 12 x 19	6	11 3/8		

PROJECT: A NEW FACILITY FOR FIRST
COMMUNITY BANCSHARES, INC.
SEARCHY, ARKANSAS
ARCH: ROARK, PARKINS, PERRY, YELVINGTON
CONTRACTOR:

PAINT: NONE	SCALE: 1/8" = 1'-0"	DRAWN BY:
EDGE DIST: 1/4 U/N	JOB #	SHT. 54
HOLES: 3/8 U/N		