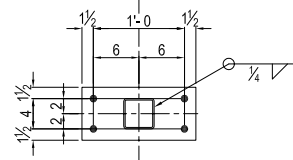
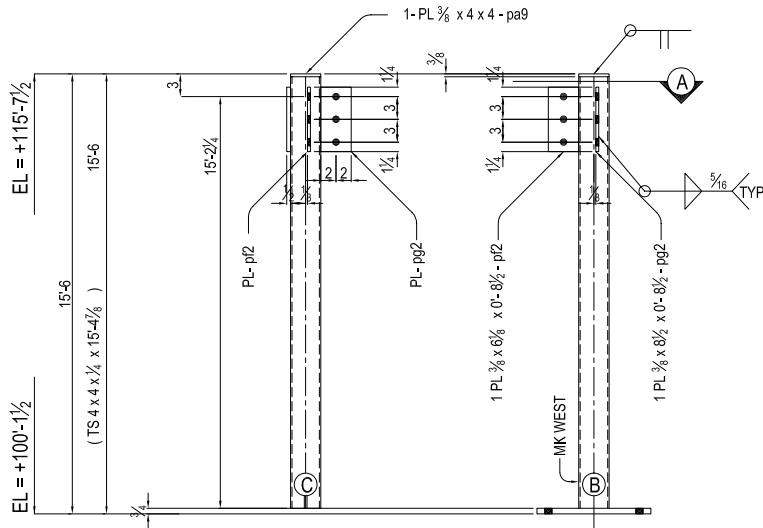
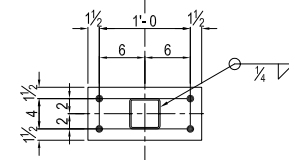
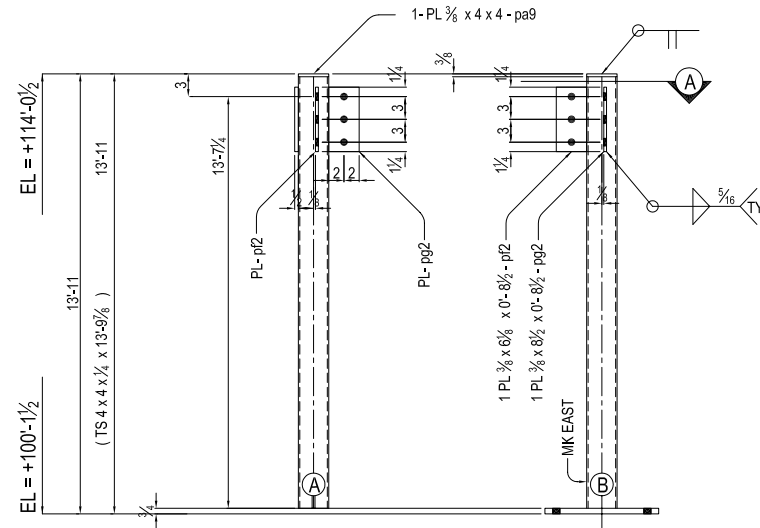


SHOP BILL

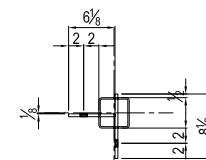
QTY.	SECTION DESCRIPTION	LENGTH		MARK	REMARKS
		FEET	INCHES		
ONE	COLUMN			22C1 ^R	
1	TS 4 x 4 x 1/4	15	4 7/8		
1	PL 3/4 x 7	1	3	pa2	
1	PL 3/8 x 4	0	4	pa9	
1	PL 3/8 x 6 1/2	0	8 1/2	pf2	
1	PL 3/8 x 8 1/2	0	8 1/2	pg2	
ONE	COLUMN			22C1 ^L	
1	TS 4 x 4 x 1/4	15	4 7/8		
1	PL 3/4 x 7	1	3	pa2	
1	PL 3/8 x 4	0	4	pa9	
1	PL 3/8 x 6 1/2	0	8 1/2	pf2	
1	PL 3/8 x 8 1/2	0	8 1/2	pg2	
ONE	COLUMN			22C2 ^R	
1	TS 4 x 4 x 1/4	13	9 1/8		
1	PL 3/4 x 7	1	3	pa2	
1	PL 3/8 x 4	0	4	pa9	
1	PL 3/8 x 6 1/2	0	8 1/2	pf2	
1	PL 3/8 x 8 1/2	0	8 1/2	pg2	
ONE	COLUMN			22C2 ^L	
1	TS 4 x 4 x 1/4	13	9 1/8		
1	PL 3/4 x 7	1	3	pa2	
1	PL 3/8 x 4	0	4	pa9	
1	PL 3/8 x 6 1/2	0	8 1/2	pf2	
1	PL 3/8 x 8 1/2	0	8 1/2	pg2	



W/PL 7 x 3/4 x 1'-3" - pa2
W/ 1/16" Ø HO'S



W/PL 7 x 3/4 x 1'-3" - pa2
W/ 1/16" Ø HO'S



SECT "A"

1 - COLUMN - 22C1^R (AS SHOWN)

GRID (F - 6.1)

1 - COLUMN - 22C1^L (OPP. HAND)

GRID (F - 4.9)

(12 - 3/4" Ø x 2)

1 - COLUMN - 22C2^R (AS SHOWN)

GRID (A - 5.9)

1 - COLUMN - 22C2^L (OPP. HAND)

GRID (A - 5.1)

(12 - 3/4" Ø x 2)

PROJECT: A NEW FACILITY FOR FIRST
COMMUNITY BANCSHARES, INC.
SEARCHY, ARKANSAS
ARCH: ROARK, PARKINS, PERRY, YELVINGTON
CONTRACTOR

PAIN: NONE	SCALE: 1/8" = 1'-0"	DRAWN BY:
EDGE DIST: 1/4" U/N	JOB #	SHT. 22
HOLES: 13/16" Ø U/N		