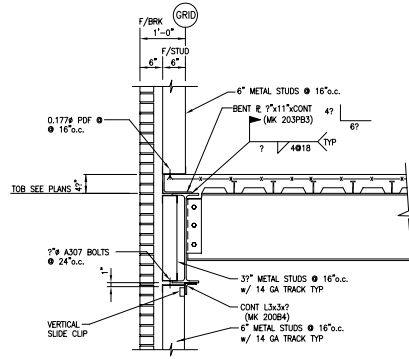
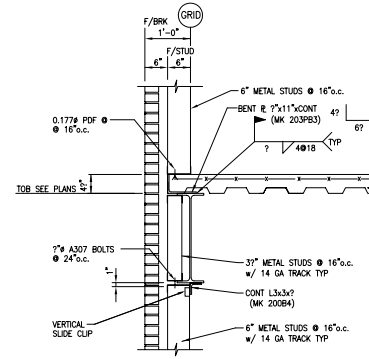


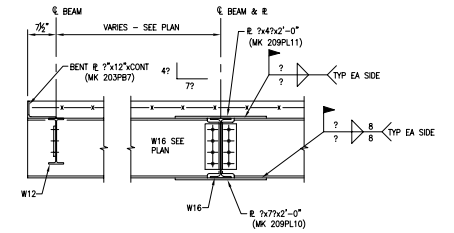
1 SECTION  
E3  
7'-1'-0" (REF. A/S4.3)



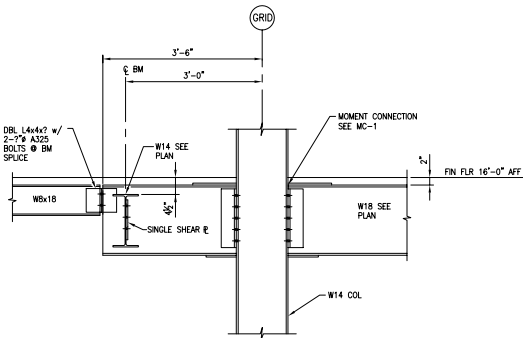
2 SECTION  
E3  
7'-1'-0" (REF. B/S4.3)



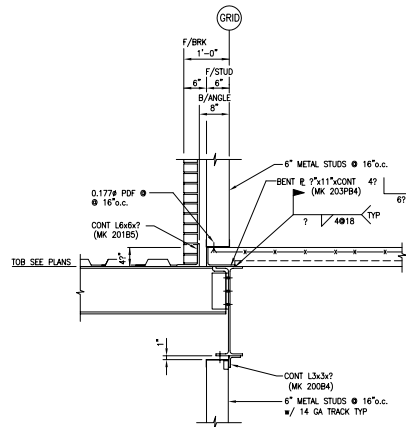
3 SECTION  
E3  
7'-1'-0" (REF. C/S4.3)



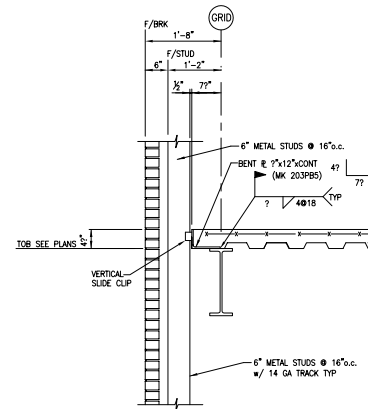
4 SECTION  
E3  
7'-1'-0" (REF. D/S4.3)



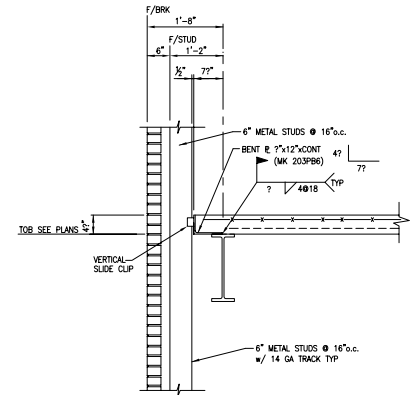
5 SECTION  
E3  
7'-1'-0" (REF. E/S4.3)



6 SECTION  
E3  
7'-1'-0" (REF. F/S4.3)



7 SECTION  
E3  
7'-1'-0" (REF. G/S4.3)



8 SECTION  
E3  
7'-1'-0" (REF. H/S4.3)

PROJECT:	A NEW FACILITY FOR FIRST COMMUNITY BANCSHARES, INC. SEARCHY, ARKANSAS	
ARCH:	ROARK, PARKINS, PERRY, YELVINGTON	
CONTRACTOR:		
SCALE:	3/8" = 1'-0"	DRAWN BY:
JOB #		

SHT. E3