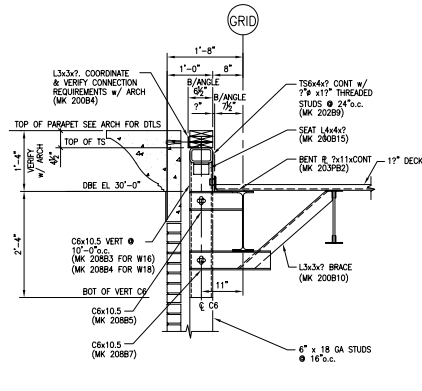
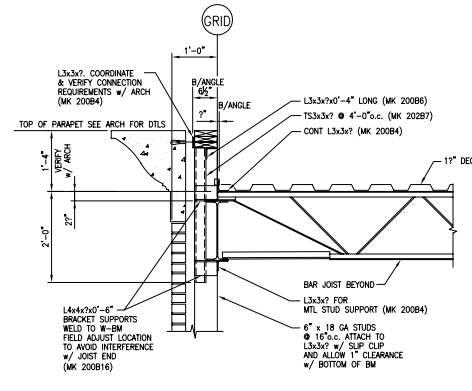


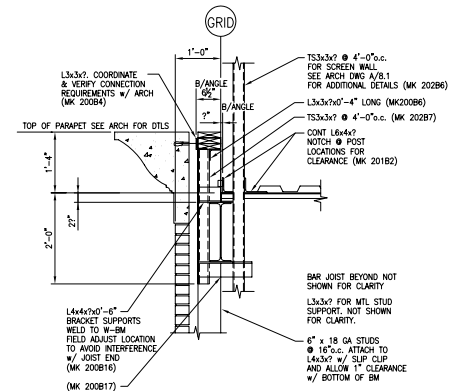
1 SECTION
E4 ?=1'-0" (REF. A/S4.4)



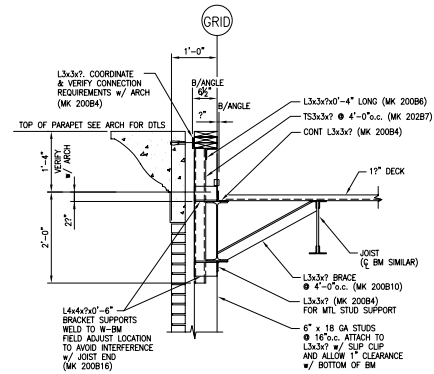
2 SECTION
E4 ?=1'-0" (REF. B/S4.4)



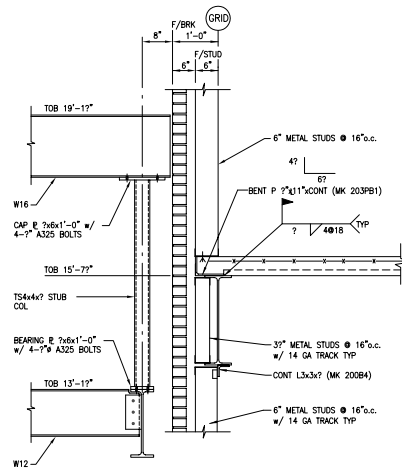
3 SECTION
E4 ?=1'-0" (REF. C/S4.4)



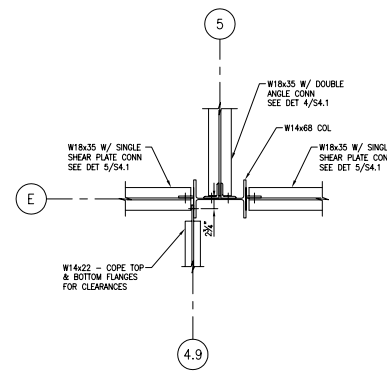
4 SECTION
E4 ?=1'-0" (REF. D/S4.4)



5 SECTION
E4 ?=1'-0" (REF. E/S4.4)



6 SECTION
E4 ?=1'-0" (REF. F/S4.4)



7 DETAIL-CONNECTION
E4 ?=1'-0" (REF. I/S4.4)

PROJECT:	A NEW FACILITY FOR FIRST COMMUNITY BANCSHARES, INC. SEARCHY, ARKANSAS	
ARCH:	ROARK, PARKINS, PERRY, YELVINGTON	
CONTRACTOR:		
SCALE:	3/8" = 1'-0"	DRAWN BY:
JOB #		SHT. E4