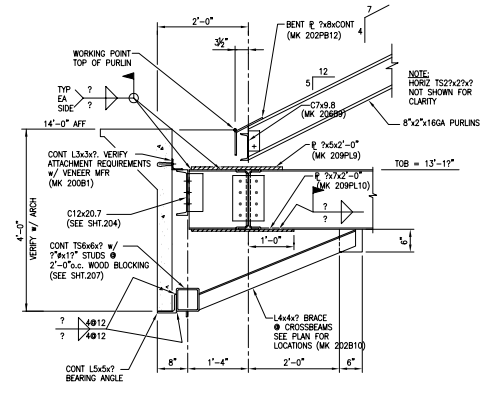
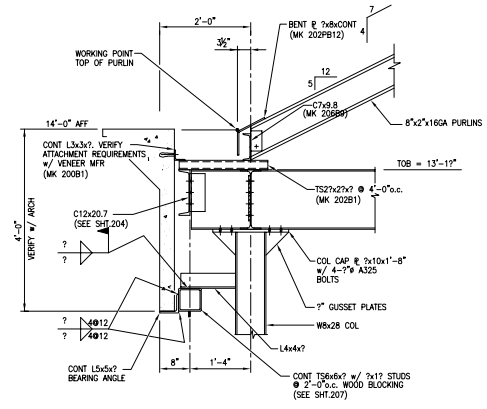


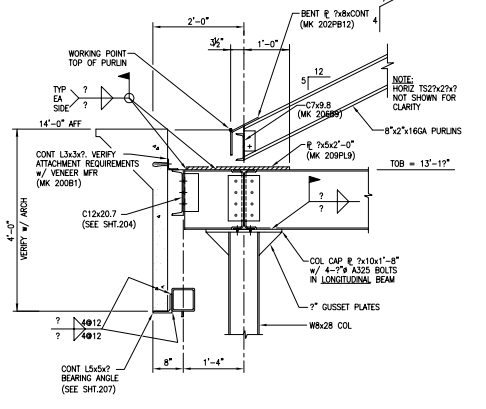
1 SECTION
E5 7'-1'-0" (REF. A/S4.5)



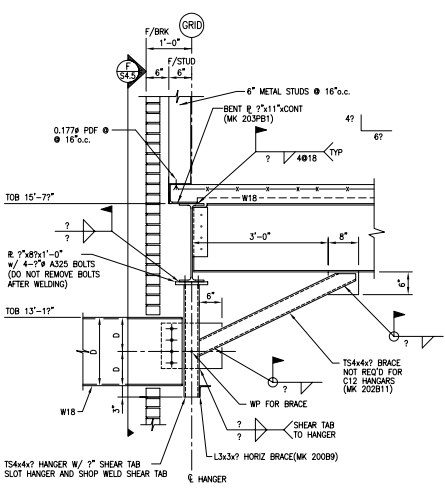
2 SECTION
E5 7'-1'-0" (REF. B/S4.5)



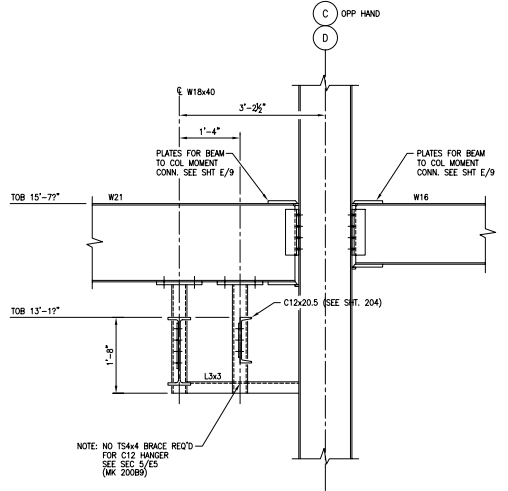
3 SECTION
E5 7'-1'-0" (REF. C/S4.5)



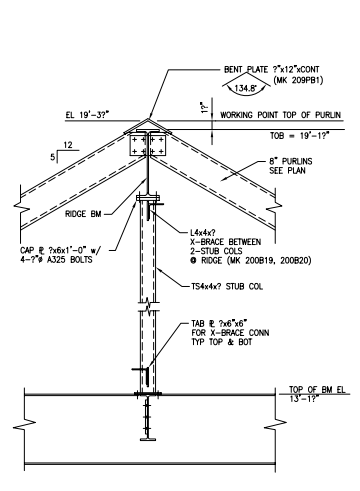
4 SECTION
E5 7'-1'-0" (REF. D/S4.5)



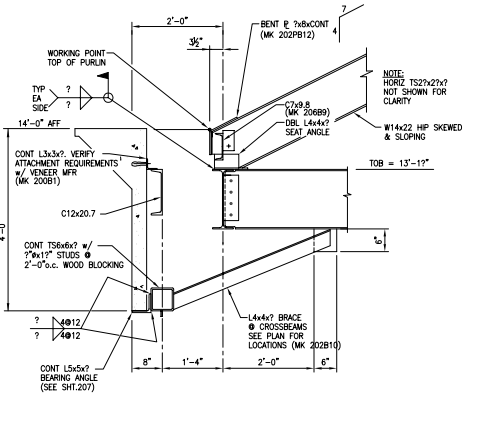
5 SECTION
E5 7'-1'-0" (REF. E/S4.5)



6 SECTION
E5 7'-1'-0" (REF. F/S4.5)



10 SECTION
E5 7'-1'-0" (REF. J/S4.5)



11 SECTION
E5 7'-1'-0" (REF. K/S4.5)

| | |
|-------------|---|
| PROJECT: | A NEW FACILITY FOR FIRST COMMUNITY BANCSHARES, INC. SEARCHY, ARKANSAS |
| ARCH: | ROARK, PARKINS, PERRY, YELVINGTON |
| CONTRACTOR: | |
| SCALE: | 3/8" = 1'-0" |
| JOB # | |
| DRAWN BY: | |
| SHT. E5 | |