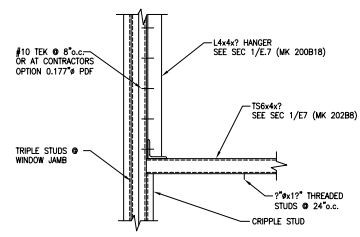
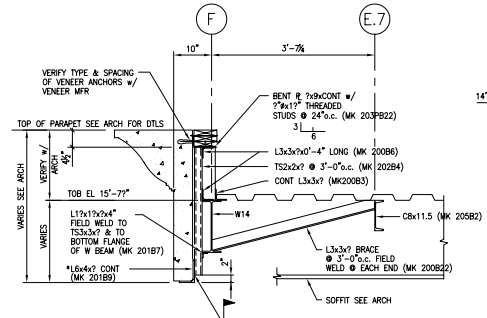


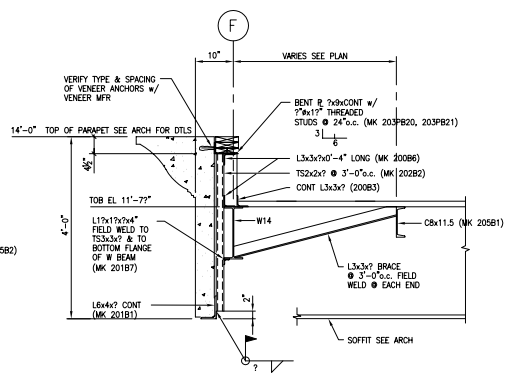
1 SECTION
E7
7'-1'-0" (REF. A/54.7)



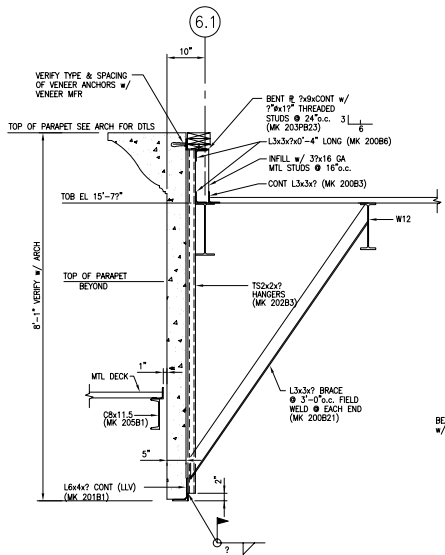
2 SECTION
E7
7'-1'-0" (REF. B/54.7)



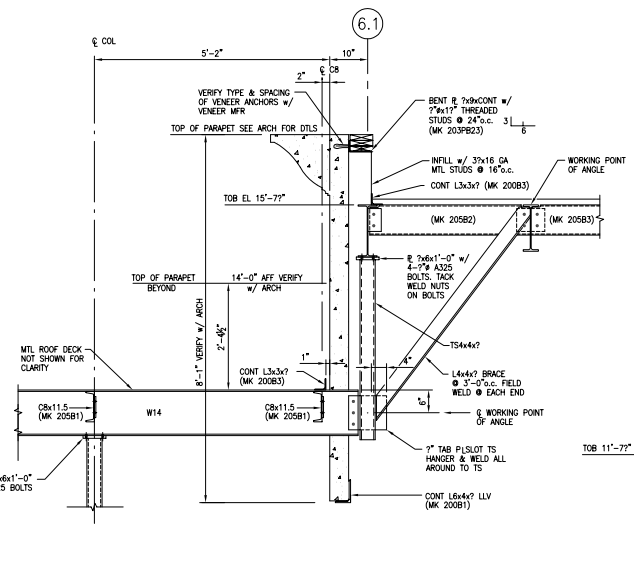
3 SECTION
E7
7'-1'-0" (REF. C/54.7)



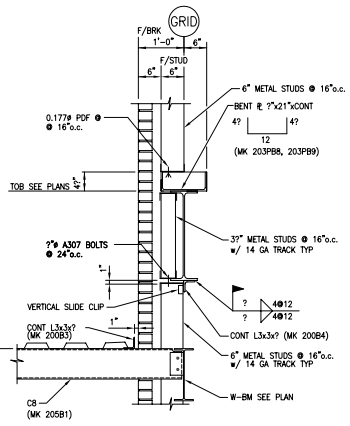
4 SECTION
E7
7'-1'-0" (REF. D/54.7)



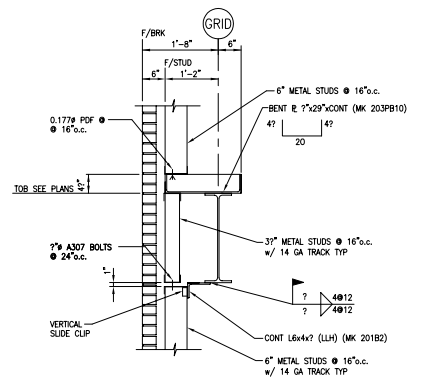
5 SECTION
E7
7'-1'-0" (REF. E/54.7)



6 SECTION
E7
7'-1'-0" (REF. F/54.7)



7 SECTION
E7
7'-1'-0" (REF. G/54.7)



8 SECTION
E7
7'-1'-0" (REF. H/54.7)

PROJECT:	A NEW FACILITY FOR FIRST COMMUNITY BANCSHARES, INC. SEARCHY, ARKANSAS
ARCHITECT:	ROARK, PARKINS, PERRY, YELVINGTON
CONTRACTOR:	
SCALE:	3/8" = 1'-0"
JOB #	
SHT. E7	