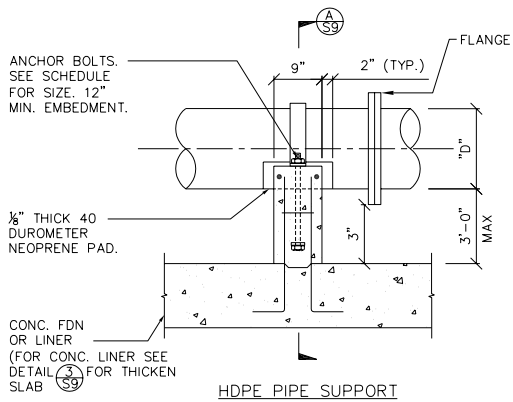


CONCRETE PROTECTIVE FRAME
OVER 15" PIPE DETAILS

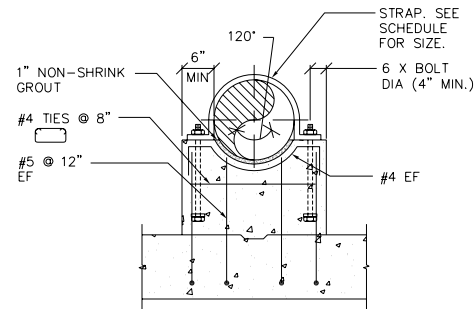


HDPE PIPE SUPPORT

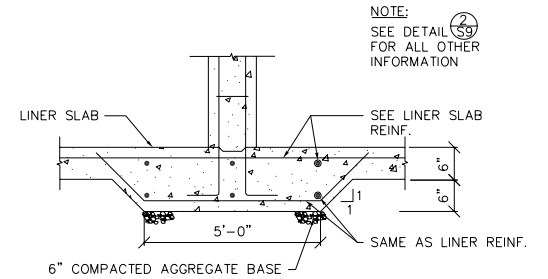


PIPE SIZE(D)	STRAP SIZE	ANCHOR BOLT DIA
8"-12"	FB 1/4"x4"	1/2"Ø
14"-24"	FB 3/16"x4"	5/8"Ø
26"-36"	FB 3/8"x4"	3/4"Ø

- NOTES:
1. MAX VERTICAL LOAD=6000 POUNDS.
 2. IF SUPPORT IS SUBMERGED OR LOCATED BELOW THE TOP OF WALL IN WATER BEARING STRUCTURE, MATERIAL FOR ANCHOR BOLTS AND STRAP SHALL BE STAINLESS STEEL IN ALL OTHER AREAS, MATERIAL FOR ANCHOR BOLTS AND STRAP SHALL BE HOT-DIP GALVANIZED STEEL UNLESS OTHERWISE INDICATED ON THE DRAWINGS.



SECTION A A



DETAIL 3

0 1 2 3

MDW
RZ

SI