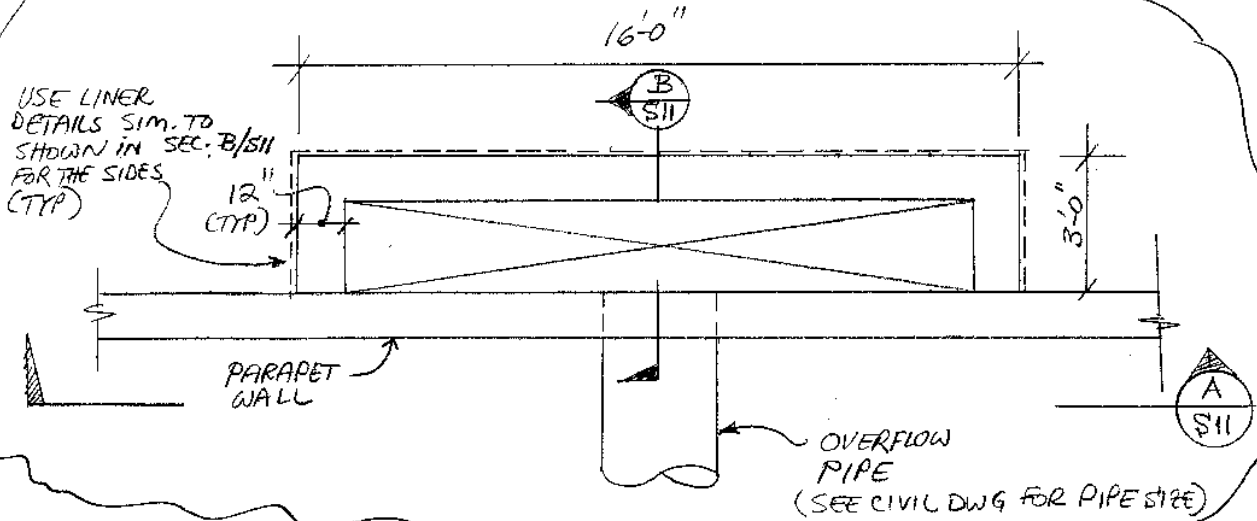


S11

TURN 90°



FOR CAD ONLY:

DO NOT SHOW ON DWG.

- PARAPET WALL THK = 12"
- OVERFLOW PIPE = 18" ϕ

PLAN

OVERFLOW STRUCTURE

DETAIL

1/S11